



*This product is sold
and supported
in the USA by*



LASER LAB SOURCE
marketplace for **Scientists & Engineers**

Laser Diode Part Number: 1550LD-3-0-0

contact@laserlabsource.com | 800-887-5065

1550 nm laser diode - DFB

Model 3 : >100 mW / singlemode fiber / 14 pin Butterfly package

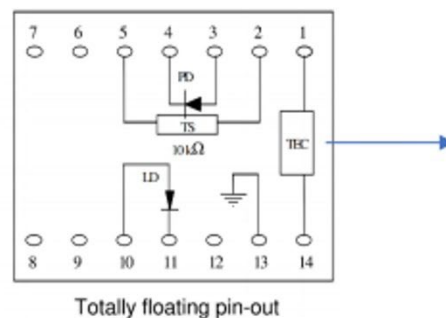
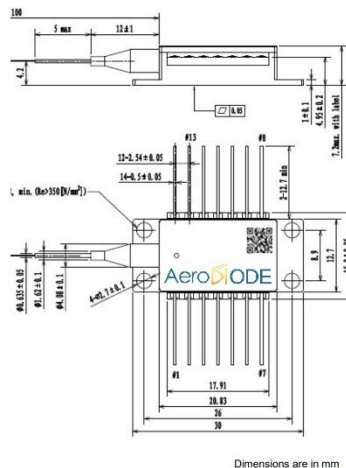
Reference: 1550LD-3-0-0-1 or 2 (SMF or PMF)

Technology : DFB*

| SPECIFICATIONS | Unit | Min | Typ | Maximum |
|-------------------------------------|------------------------------|------|-------|---------|
| Output Power (CW mode) | mW | 100 | | |
| Output Power (Pulse mode) | mW | | >180 | |
| Center Wavelength (CW) | nm | 1545 | 1550 | 1555 |
| Spectral Width (FWHM) | kHz | | 160 | |
| Threshold Current | mA | | 20 | 30 |
| Operating Current | mA | | 650 | 800 |
| Operation Voltage | V | | 1.6 | 1.8 |
| Wavelength shift w Temperature | nm/°C | | 0.08 | |
| Wavelength shift w Current | nm/mA | | 0.003 | |
| Side mode suppression ratio | dB | 35 | 50 | |
| Internal Photodiode Responsivity | mA/W | 5 | | |
| Internal Photodiode Dark Current | nA | | | 500 |
| TEC current (-5/60°C) | A | | | 1 |
| TEC Voltage (-5/60°C) | V | | | 1.5 |
| Internal thermistor (25°C) | kOhm | 9.5 | 10 | 10.5 |
| Fiber type (PM Option) | SMF28 (PM1550) or equivalent | | | |
| Coating diameter | µm | | 900 | |
| Fiber bend radius | mm | 30 | | |
| Storage case temperature | °C | -40 | | 70 |
| Case operating temperature | °C | -20 | | 60 |
| Lead soldering temperature | °C | | 260 | 300 |
| Laser diode reverse voltage | V | | | 15 |
| Pigtail termination | FC/APC connector | | | |
| Polarization state (if PM version) | Aligned to the slow axis | | | |

*: See our tutorial : [fiber coupled laser diode](#)

Form factor & Laser diode pinning (standard 14-pin Butterfly Type-1) :



NOTE : Other pin configuration available on demand (Type-2, Type-2 Bias-T etc.)

