
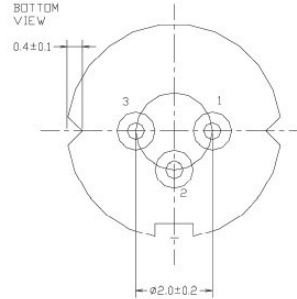
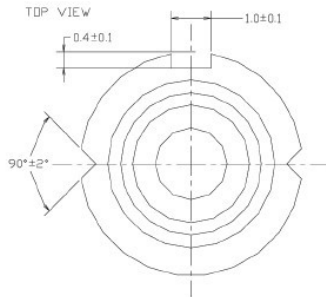
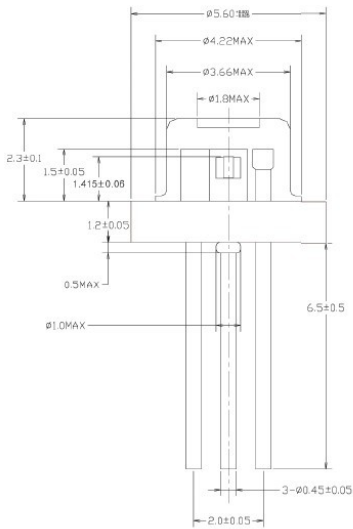
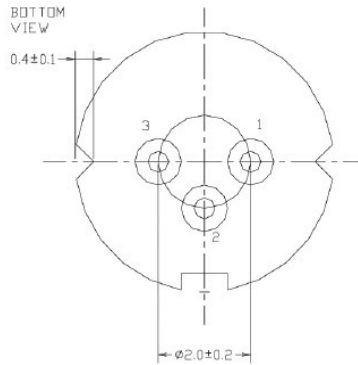


**405nm 120mw Single Mode Laser Diode | SM LD**
**405nm LD |120mw Power|TO18 Package**
**WSLD-405-120m-1**
**Wavespectrum Laser, Inc.**
**www.wavespectrum-laser.com**

405nm Laser Diode		120mw		Wavespectrum Laser, Inc	
PARAMETER	SYMBOL	VALUE		UNIT	
Reverse Voltage	$V_r$	2.0		V	
Operating Temperature	$T_{op}$	-10 ~ +80		°C	
Storage Temperature	$T_{stg}$	-40 ~ +85		°C	
Lead soldering temperature (10 sec.)	$T_{is}$	260		°C	
<b>Features:</b> <ul style="list-style-type: none"> <li>● 405nm</li> <li>● Single Mode</li> <li>● TO18 package</li> </ul>					
<b>Applications:</b> <ul style="list-style-type: none"> <li>● Medical laser treatment</li> <li>● Laser indicator</li> <li>● Laser detector</li> </ul>					
<b>Specifications</b>		<b>WSLD-405-120m-1</b>			
		Min	Type	Max	
Center Wavelength@25°C		400nm	405nm	410nm	
Spectral Width (FWHM)		2.0nm			
Output Power		----	100mW	120mW	
Emitter Area		-----			
Beam Divergence (FWHM)		$15^\circ \pm x 7^\circ //$	$19.5^\circ \pm x 9^\circ //$	$23^\circ \pm x 12^\circ //$	
Slope Efficiency		1.2mW/mA	1.4mW/mA	1.9mW/mA	
Threshold Current (Typ.)		----	35mA	50mA	
Operating Current (Typ.)		----	100mA	130mA	
Operating Voltage		----	4.6V	5.5V	
Package Style		TO18(5.6mm)			



**TO18(5.6mm) Package View**

**PIN Bottom View:**


<b>1</b>	<b>LD(+)</b>
<b>2</b>	<b>GND</b>
<b>3</b>	<b>LD(-)</b>

Electrically shorten LD module and store in non-extreme conditions.

Suggest using the constant current power supply.

