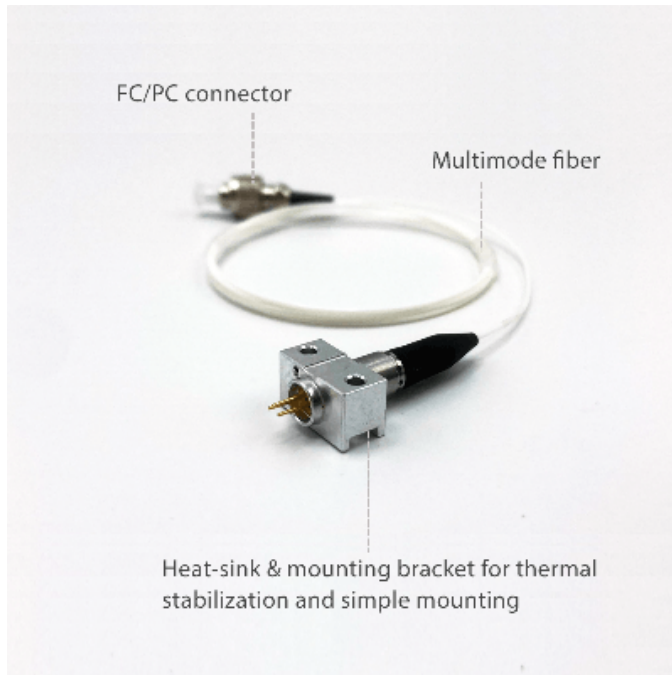




445nm, 1000mW Coaxial Laser Diode Multi-Mode Fiber with FC/PC Connector

PN: RLS/445NM-1000MW-MMF



- Wavelength: 445 nm
- Output Power: 1000 mW
- 105 μ m Multi-Mode Fiber
- Standard FC/PC Connector (Inquire for other connector options)

LASER LAB SOURCE

World Leading Products for
Laser Scientists and Engineers



445NM-1000MW-MMF Product Overview

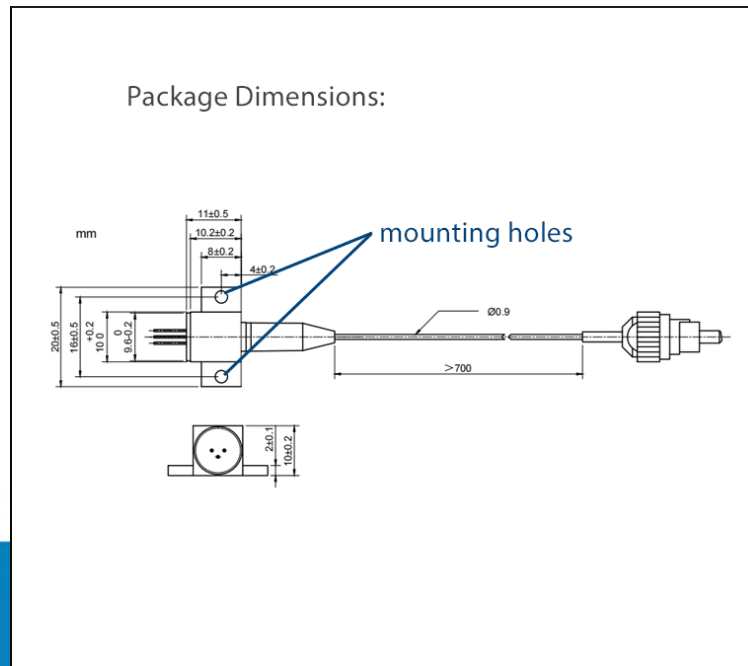
This Fabry-Perot laser is offered in a coaxial fiber-coupled package.

This laser is coupled to 105 μm multi-mode fiber, NA 0.22, and terminated with an FC/PC connector. (Other options are available; inquire for options and details).

Proven Laser Diode Expertise

These high stability fiber coupled laser diodes are designed and manufactured to meet the most demanding R&D and industrial applications.

Proprietary design, packaging, and fiber coupling processes produce laser diodes with very high stability and low noise. Each laser diode is subject to extensive testing and burn-in before shipment to ensure the highest possible levels of quality and long term reliability.





OPTICAL SPECIFICATIONS

- Output Wavelength: 445nm \pm 10 nm
- Output Power: 1000 mW
- Spectral Width (FWHM): 2.0 nm
- Wavelength Temp. Coefficient: 0.05 nm/ $^{\circ}$ C
- Laser Type: Fabry-Perot

FIBER SPECIFICATIONS

- Fiber Type: Multi-Mode Fiber
- Fiber Core: 105 μ m
- N.A.: 0.22
- Fiber Length: >80 cm
- Fiber Connector: FC/PC (Other Types Available; Inquire)

ELECTRICAL SPECIFICATIONS

- Threshold Current: 0.3 A (typ)
- Operating Current: 1.4 A (typ)
- Operating Voltage: 6.0 V (typ)



LASER LAB SOURCE

world leading products for **Scientists & Engineers**

manufactured by



PRODUCT SALES AND SERVICE:

Orders for this product are fulfilled by Laser Lab Source in North America.

PRODUCT WARRANTY:

This product is sold with a full one year warranty. It is warranted to be free from defects in material and/or workmanship for a period of one year from the date of shipment. Warranty does not include customer induced damage to the product through mishandling.



Laser Lab Source, a division of Research Lab Source Inc.
670 S. Ferguson St., Suite 3
Bozeman, MT 59718 USA

Phone: 800-887-5065

www.LaserLabSource.com