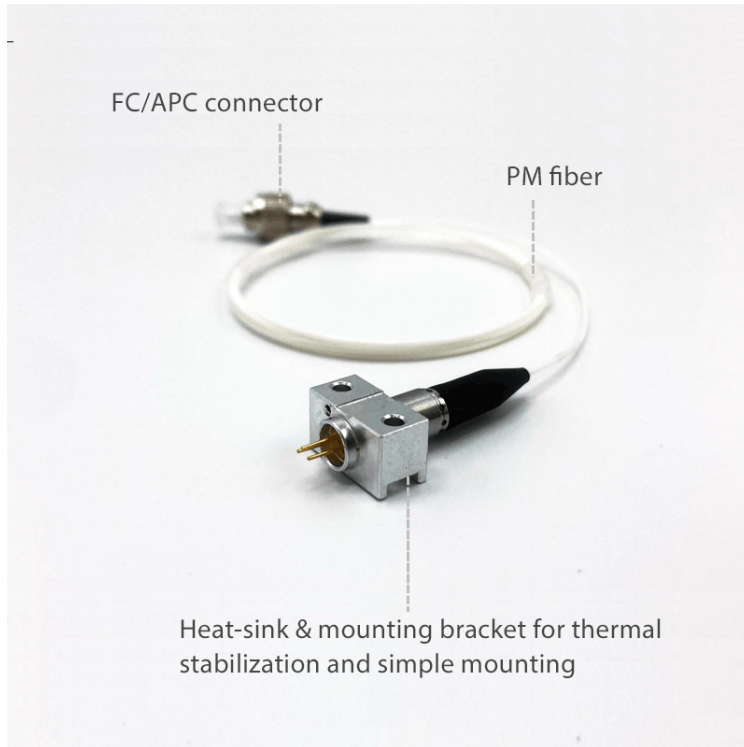


## 635nm, 50mW Single Mode Laser Diode, Coaxial Package, PM Fiber-Coupled



### Features

- 635nm, 50mw Output
- 4 $\mu$ m PM Fiber, NA 0.12
- FC/APC Fiber Connector
- Coaxial Package with Mounting Bracket

**LASER LAB SOURCE**

World Leading Products for **Laser Scientists & Engineers**

## 635NM-50MW-PM Overview

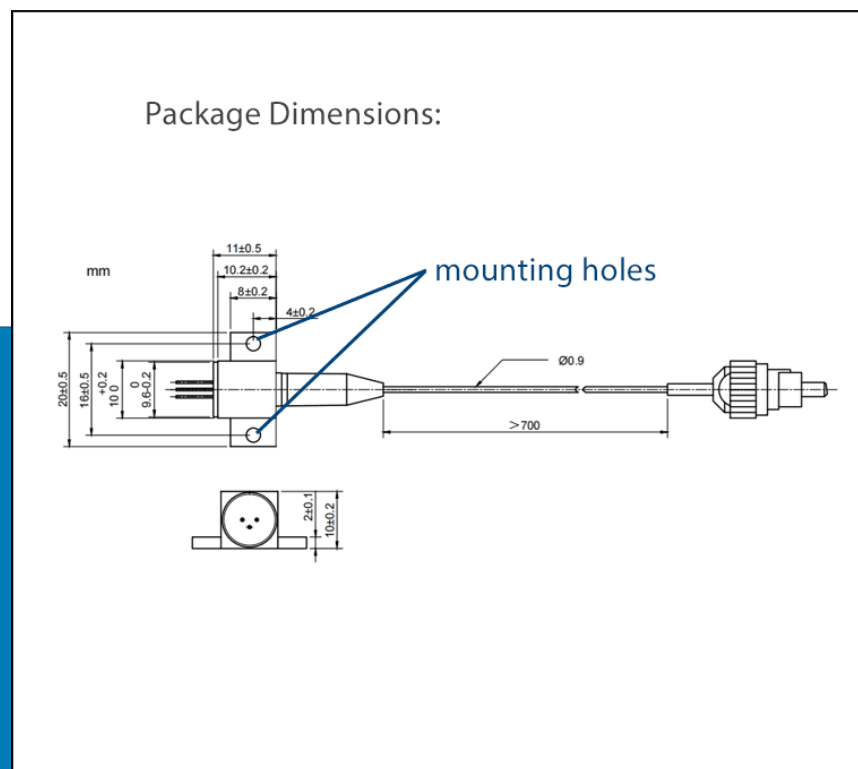
This Fabry-Perot laser is offered in a single-mode, polarization maintaining, fiber-coupled coaxial laser package.

This laser is coupled to 4 $\mu$ m PM fiber, NA 0.12, and terminated with an FC/APC connector. Other fiber and connector options are available; inquire for options and details.

## Proven Laser Diode Expertise

These high stability fiber coupled laser diodes are designed and manufactured to meet the most demanding R&D and industrial applications.

Proprietary design, packaging, and fiber coupling processes produce laser diodes with very high stability and low noise. Each laser diode is subject to extensive testing and burn-in before shipment to ensure the highest possible levels of quality and long term reliability.





#### OPTICAL SPECIFICATIONS AT 25°C

- Center Wavelength: 638 nm  $\pm$ 10 nm
- Output Power: 50 mW
- Wavelength Temperature Coefficient: 0.2 nm/°C
- Spectral Width (FWHM): 2.0 nm
- Beam Type: Gaussian
- Polarization Extinction Ratio: 15 dB

#### ELECTRICAL SPECIFICATIONS AT 25°C

- Operating Current: 210 mA
- Threshold Current: 65 mA
- Operating Voltage: 2.8 V

#### PACKAGE AND FIBER SPECIFICATIONS

- Coaxial Package with Mounting Bracket
- Fiber Type: Polarization Maintaining, Single Mode
- Fiber Connector: FC/APC
- Slow Axis Aligned to the Key of the FC Connector
- Fiber Core Diameter: 4  $\mu$ m
- Fiber NA: 0.12

WORLD LEADING PRODUCTS  
FOR LASER SCIENTISTS AND ENGINEERS