


650nm~660nm 150mw Single Mode Laser Diode| SM LD

650nm 5.6mm Package|150mw| SM LD

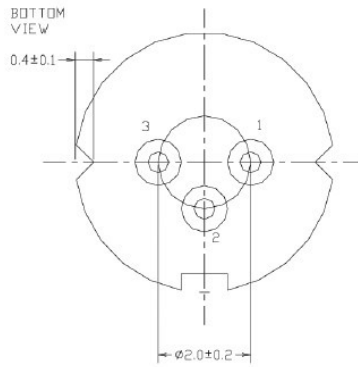
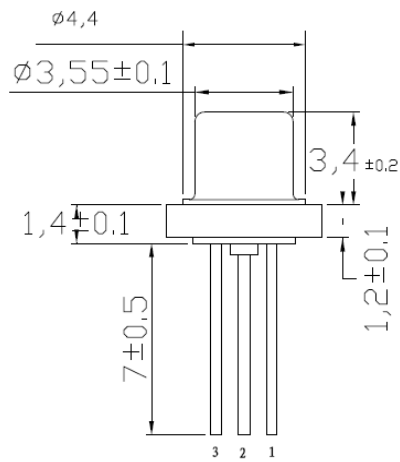
WSLD-650-150m-1

Wavespectrum Laser, Inc.

www.wavespectrum-laser.com

650nm Laser Diode		150mw		Wavespectrum Laser, Inc	
PARAMETER	SYMBOL	VALUE		UNIT	
Reverse Voltage	V_r	2.0		V	
Operating Temperature	T_{op}	-10~+75		°C	
Storage Temperature	T_{stg}	-40 ~ +100		°C	
Lead soldering temperature (10 sec.)	T_{is}	260		°C	
Features: <ul style="list-style-type: none"> 650nm Single Mode TO18 package 					
Applications: <ul style="list-style-type: none"> Medical laser treatment Laser indicator 					
Specifications		WSLD-650-150m-1			
		Min	Type	Max	
Center Wavelength@25°C		654nm	658nm	662nm	
Spectral Width (FWHM)		2.0nm			
Output Power		----	150mW	200mW	
Emitter		Single			
Beam Divergence (FWHM)		----	44° _⊥ x 20° _{//}	----	
Monitor Current		----			
PD Reverse Voltage		----			
PD Forward Current		----			
Slope Efficiency		0.8mW/mA	1.0mW/mA	1.3mW/mA	
Threshold Current (Typ.)		----	70mA	90mA	
Operating Current (Typ.)		----	230mA	----	
Operating Voltage		----	2.2V	3V	
Package Style		TO18 (5.6mm)			



TO18 Package View


1	NC
2	LD(-)
3	LD(+)

Electrically shorten LD module and store in non-extreme conditions.
 Suggest using the constant current power supply.

