



PRODUCT DATA SHEET

Laser Diode (HHL w/fiber package)

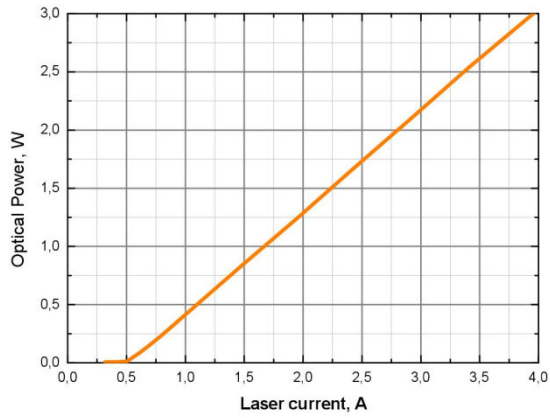
Model FB-M1060-2500HF



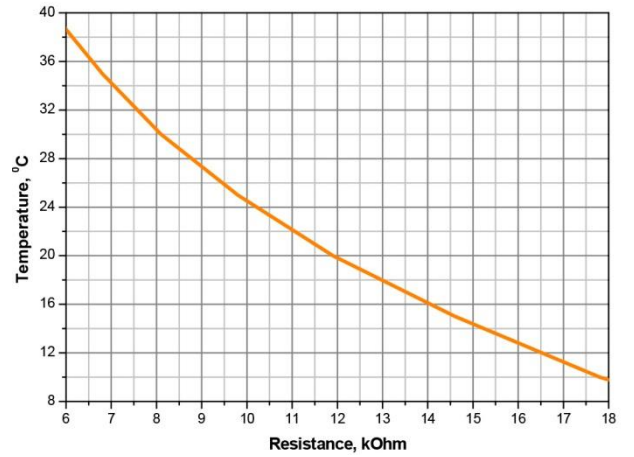
1-TEC (-)
 2-
 3-
 4- Laser Anode(+)
 5- Thermistor (2)
 6- Thermistor (1)
 7- Laser Cathode (-)
 8- PD Anode (+)
 9- PD Cathode (-)
 10- TEC (+)

Specification	Symbol	Typical	Unit
Laser Emitter (at Top=25 degree)			
Peak Wavelength	λ_{op}	1060±15	nm
CW Optical Output Power	P_{op}	2.5	W
Operation Current	I_{op}	<5	A
Operation Voltage	U_{ld}	1.5±0.2	V
Threshold Current	I_{th}	< 0.6	A
Spectrum Half-Width (FWHM)	$\Delta\lambda$	< 3.5	nm
Operation Mode		CW, QCW, Pulse ($\tau > 5ns$)	-
Optical Fiber			
Fiber diameter		200	µm
Coating diameter		220	µm
Outer diameter		3	mm
Numerical Aperture		0,22	-
Fiber Length		1	m
Optical Connector Type		FC	-
Photo Diode Monitor			
PD Monitor Current		1-1000	µA
PD Reverse Voltage		9	V
TEC			
Maximum Current		5	A
Maximum Operation Voltage		3,8	V
Other parameters			
Thermistor Resistance		10	kilohm
Operation Temperature Range		-20... +40	degree
Wavelength Temperature Coefficient	$\Delta\lambda/\Delta T$	3±0.2	Å/degree

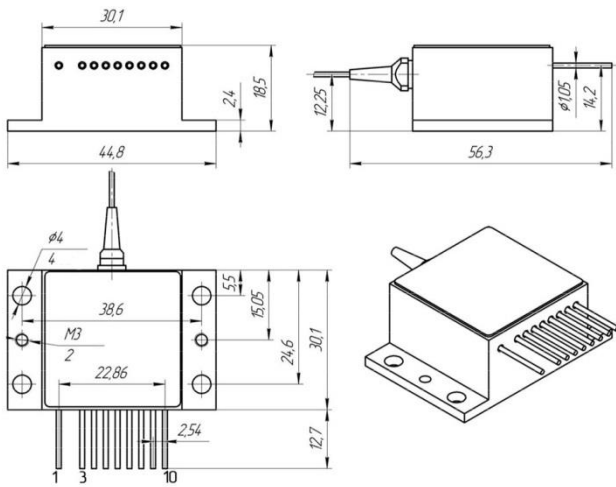
Optical Power/Operation Current diagram



Thermistor resistance diagram



Dimensions and pinouts



- 1-TEC (-)
- 2-
- 3-
- 4- Laser Anode(+)
- 5- Thermistor (2)
- 6- Thermistor (1)
- 7- Laser Cathode (-)
- 8- PD Anode (+)
- 9- PD Cathode (-)
- 10- TEC (+)

PRODUCT WARRANTY:

This product is sold with a full one year warranty. The warranty includes all parts and labor. It is warranted to be free from defects in material and workmanship for a period of one year from the date of shipment. The warranty does not include damage to the product due to customer mishandling or use of the product outside of its specified maximum ratings.

INSTALLATION SUPPORT OR TECHNICAL SUPPORT FOR THIS PRODUCT:

800-887-5065 extension 1
contact@laserdiodesource.com



Part of the Laser Lab Source Group:
LaserLabSource.com
LaserDiodeSource.com
LaserDiodeControl.com
Laser Diode Technologies

Laser Lab Source Inc.
1820 W. Lincoln Street
Bozeman, MT USA 59715
contact@LaserDiodeSource.com
contact@LaserDiodeControl.com
800-887-5065

800-887-5065