

product offered by

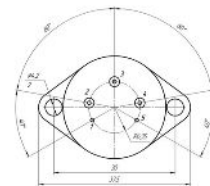


LASER LAB SOURCE
marketplace for **Scientists & Engineers**

contact@LaserLabSource.com

+1 406.219.1472

www.LaserLabSource.com

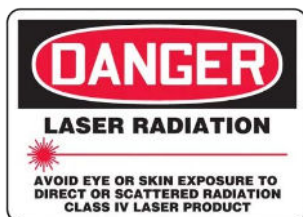

 pins 1, 5: Laser Diode Anode
 pins 2, 4: Laser Diode Cathode
 pin 3: PD monitor

PRODUCT DATA SHEET

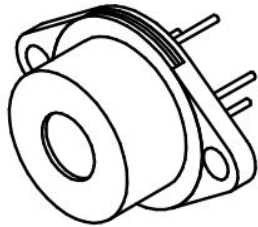
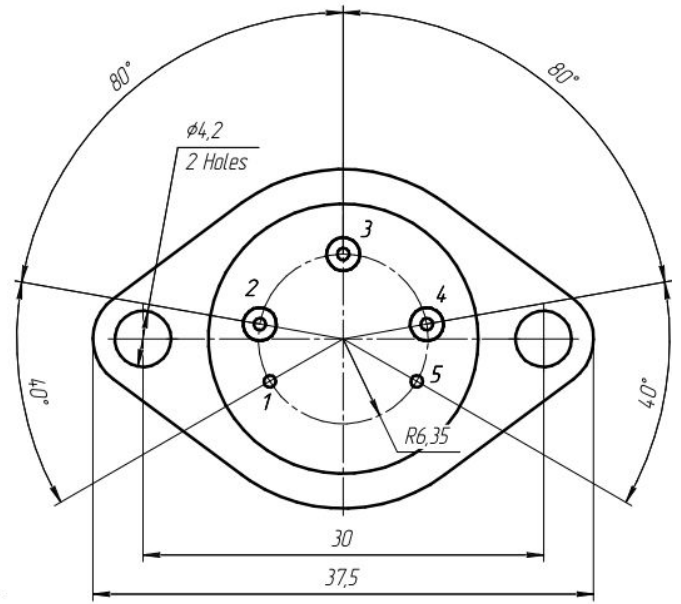
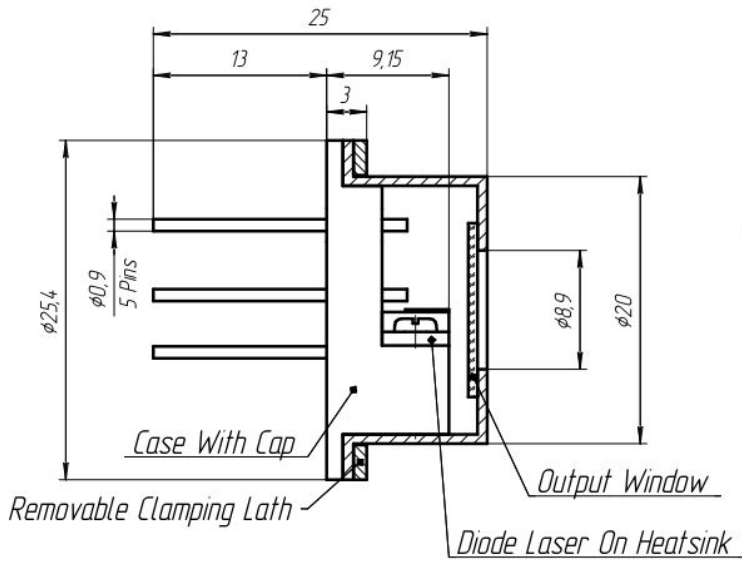
Laser Diode (TO-3 package)

Model FB-M1260-1500TO3

Specification	Symbol	Typical	Unit
Laser Emitter			
Peak Wavelength	λ_{op}	1260±10	nm
CW Optical Output Power	P_{op}	1.5	W
Operation Current	I_{op}	<4	A
Operation Voltage	U_{ld}	1.1±0.1	V
Threshold Current	I_{th}	<0.6	A
Beam Divergence (FWHM)	$\theta_{ }$	9±1	degree
Beam Divergence (FWHM)	θ_{\perp}	1	degree
Spectrum Half-Width (FWHM)	$\Delta\lambda$	<5	nm
Emitting Area	$W \times d$	100x1	$\mu\text{m} \times \mu\text{m}$
Operation Mode	-	CW, QCW, Pulse ($\tau > 5\text{ns}$)	-
Operation Temperature	Top	25	degree
Photo Diode Monitor			
PD Monitor Current		1-1000	μA
PD Reverse Voltage		9	V
Wavelength Temperature Coefficient	$\Delta\lambda/\Delta T$	4±0.5	$\text{\AA}/\text{degree}$
Operation Current Temperature Coefficient	$\Delta I/\Delta T$	15±5	mA/degree
Operation Temperature Range		-20... +40	degree
Storage Temperature Range		-40... +80	degree



Drawings:



1, 5	LD +
2	LD -
3	PD -
4	PD +

PRODUCT WARRANTY:

This product is sold with a full one year warranty. The warranty includes all parts and labor. It is warranted to be free from defects in material and workmanship for a period of one year from the date of shipment. The warranty does not include damage to the product due to customer mishandling or use of the product outside of its specified maximum ratings.

INSTALLATION SUPPORT OR TECHNICAL SUPPORT FOR THIS PRODUCT:

800-887-5065 extension 1
contact@laserdiodesource.com



Part of the Laser Lab Source Group:
LaserLabSource.com
LaserDiodeSource.com
LaserDiodeControl.com
Laser Diode Technologies

Laser Lab Source Inc.
1820 W. Lincoln Street
Bozeman, MT USA 59715
contact@LaserDiodeSource.com
contact@LaserDiodeControl.com
800-887-5065

800-887-5065