

Free-space AOM (Acousto-Optic Modulator)

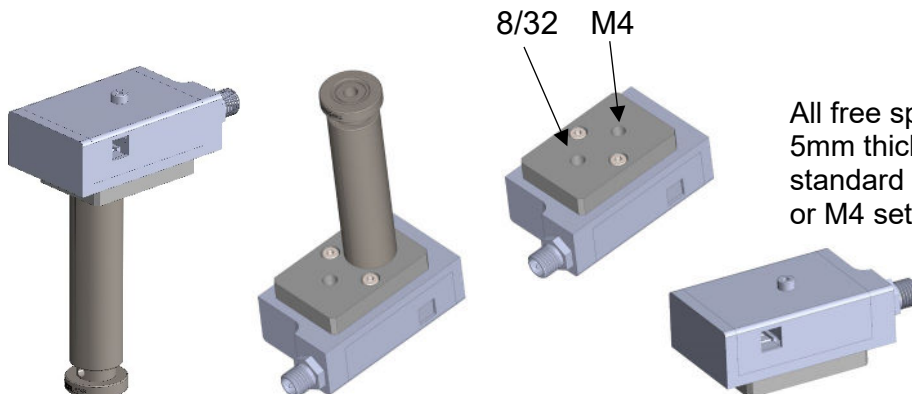
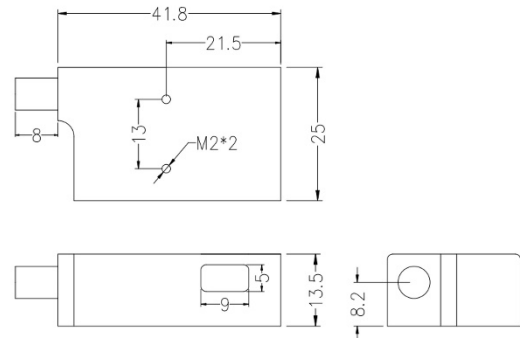
Standard 100 MHz version – 400 nm

Reference: 400FSAOM-100-2.0

Technology/Crystal: TeO₂*

SPECIFICATIONS	Unit	Min	Typ.	Max	Comments
AOM Material			TeO ₂		
Wavelength	nm	380	400	600	Customizable
RF Frequency	MHz		100		
Active Aperture	mm		2		
Input impedance	Ω		50		
Frequency shift	MHz		100		
RF Power	W		0.3		
Max Optical Input CW/average Power	W			15	
Max Optical Power/surface	MW/cm ²			50	
Efficiency (optimized beam conditions)	%	80	85		
Rise/fall time (beam 1000 μm)	ns		160		
Rise/fall time (beam 400 μm)	ns		65		
Crystal coating transmittance (per surface)	%	99.5			
Electrical input interface			SMA		
Working temperature	°C	-20		60	
Storage temperature	°C	-30		70	
Dimensions	mm ³	41.8*25*13.5			
Mounting holes diameter	mm		M2		

*: See our tutorial: [fiber modulator](#)



All free space AOMs are supplied with a 5mm thick adapter plate compatible with standard pedestal bases with either 8/32 or M4 setscrews.