

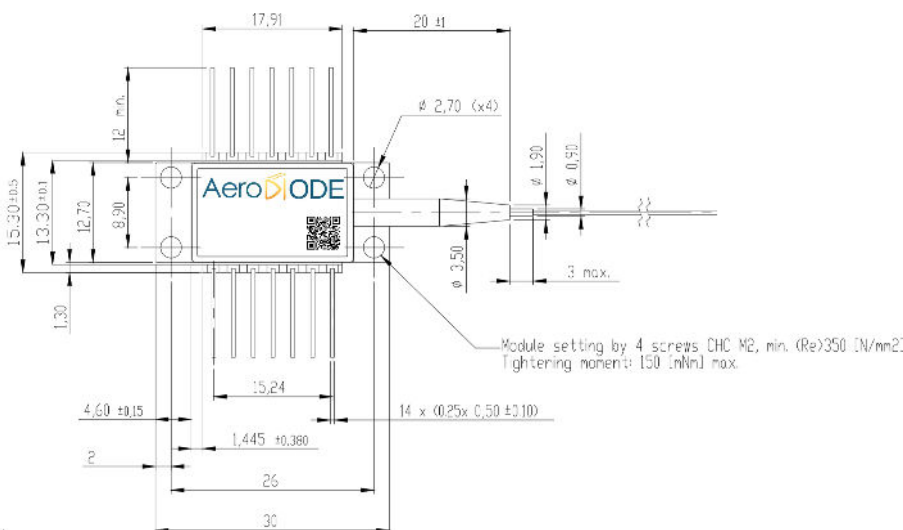
915 nm laser diode

300 mW / singlemode fiber / Butterfly package

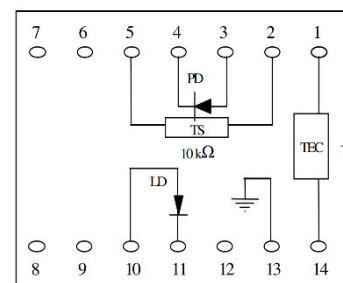
Reference: 915LD-1-0-0

SPECIFICATIONS	Unit	Min	Typ	Maximum
Optical parameters				
Output Power	mW		300	
Center Wavelength (optional "FBG" version)	nm	905 (914)	910 (915)	915 (916)
Spectral Width (FWHM) / (optional "FBG" version)	Nm		2 (0.1)	
Threshold Current	mA		75	120
Operating Current	mA		650	700
Operating Voltage	V		1.7	1.8
Wavelength shift w Temperature (Optional "FBG" version)	nm/°C		0.3 (5 10 ⁻³)	
Wavelength shift w Current (Optional "FBG" version)	nm/A		5 (~0)	
Side mode suppression ratio (Optional FBG version)	dB		(20)	
Internal photodiode responsivity	mA/W	0.04	3	10
Internal photodiode dark current	nA		5	40
TEC current (25°/case@70°)	A		1.1	
TEC voltage (25°/case@70°)	V		1.9	
Internal thermistor (25°)	kOhm	9.5	10	10.5
Fiber type	Hi1060 (PM980 if PM option)			
Fiber bend radius	mm	25		
Fiber connector	FC/APC (Optional)			
Storage temperature	°C	-40		85
Operating case temperature	°C	-20		70
Operating chip temperature	°C	20		40
Laser diode reverse voltage	V			2

Form factor:



Laser diode pinning:



Totally floating pin-out